



豪力輝工業股份有限公司

HOLD WELL INDUSTRIAL CO., LTD.



ISO 9001:2008
ID 9105040234

虎鉗
VISE



■ HWE-MPV

MC 精密型倍力式虎鉗	1
MC Precision Power Vise	
MC 精密加長型倍力式虎鉗	3
MC Precision Power Vise Longer Type	
選購配備	4
Optional Accessory	

■ HWA

油壓虎鉗	8
Hydraulic Machine Vise	

■ HWB

傾斜式油壓虎鉗	10
Tilttable Two-Way Hydraulic Machine Vise	
選購配備	12
Optional Accessory	

■ HWY-SV

軸心式虎鉗	13
Shaft Vise	

■ HWE-AMV

智慧型虎鉗	15
Auto Vise	

■ HWY-BH

置爪	18
Jaw Box	



MC 精密型倍力式虎鉗 MC Precision Power Vise

HWE series

■ 替換式虎口板設計，加工治具可直接固定於虎鉗上；材質採用高碳合金鋼。
Interchangeable Jaw design. Various jigs for many uses can be installed on Vise. Jaw is made of Alloy Steel.



■ 同高設計（±0.01mm），可多台併列加工，提高生產效率。
The tolerance of matched height is within ±0.01mm. Can combine many sets together for simultaneous processing to improve production efficiency.



■ 基座採U型設計，增強結構剛性；材質採球狀石墨鑄鐵FCD65，抗拉强度高，不易變形。
Base with U-shape design enhances structure rigidity and reduces distortion. Rigid material Vise body is made of ductile iron FCD65. High tensile strength and no distortion.

■ 本台底部溝槽之平行度及直角度非常精密，可快速定位及固定於機床上。
The parallelism and squareness of slots beneath vise base are very precise. Vise can be quickly positioned and fixed on the machining tables.



■ 強力“箔型彈簧”機構，夾持工件平穩，防止上浮能力佳。
Powerful down thrust Leaf-Spring mechanism eliminates workpiece lifting.

■ 本體前端及側邊挖孔，排屑效果佳。
Side-hole and front-hole design make chip removal easier.

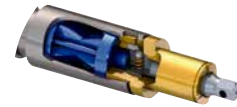
■ 本體長度短小，開口大；可適用於各式機台。
Short body with large Jaw-Opening is suitable for large & small machine center.

■ 兩側滑軌經高週波處理，耐磨損性佳。
Both slideways flame hardened can resist wear and maintain accuracy for long.

■ 五段式夾持力切換，調整簡單迅速。
Easy and quick adjustment of 5 different clamping forces.



■ 倍力式機械增壓系統，增壓快速，永不失壓。
Mechanical Pressure Booster system enhances efficiency and eliminates losing power.



■ 加大直徑雙螺紋主螺桿，移動快速，剛性強。
An enlarged double thread master screw rod could make Movable Jaw move forward and backward fast. High rigidity.



精度檢驗 Accuracy Inspection

檢驗項目 Inspection Items		標準 Tolerance
1	<p>滑軌與本座底部之平行度 Parallelism : slideways to Vise bed</p>	0.005/100mm
2	<p>滑軌與固定虎口板之直角度 Squareness : between slideways and fixed jaw</p>	0.01/100mm
3	<p>夾持後工件上浮量 Workpiece Lifting</p>	0.015mm
4	<p>H: 高度 H : Height of the body</p>	±0.01mm
5	<p>L: 夾持面至鍵槽之距離 L : Length between fixed jaw and slot</p>	±0.02mm

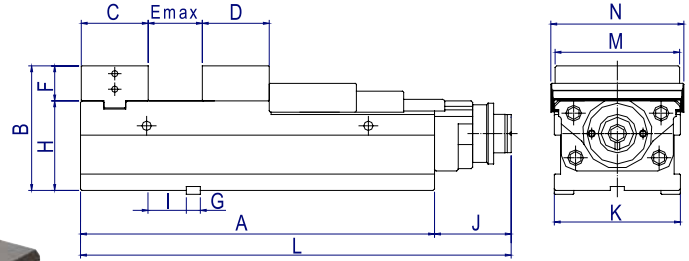
WISE



MC 精密型倍力式虎鉗 MC Precision Power Vise

HWE-MPV125 / 160 / 200

HWE series



型號 Model NO.	A	B	C	D	E max	F	G	H	I	J	K	L	M	N	淨重(kg)
HWE-MPV125	365	145	78	74	205	45	18	100	57	98.5	126	463.5	125	135	35
HWE-MPV160	455	160	86	86	275	45	18	115	49	98.5	162	553.5	160	171	59
HWE-MPV160-H	455	160	86	86	275	60	18	115	49	98.5	162	553.5	160	171	62
HWE-MPV200	505	180	100	97	300	55	18	125	66	98.5	202	603.5	200	211	90
HWE-MPV200-H	505	180	100	97	300	70	18	125	66	98.5	202	603.5	200	211	95

單位 Unit : mm



夾持壓力表 Clamping Force Table

型號 / 段數 Model NO. / Setting	0	1	2	3	4
HWE-MPV125	500	1100	2500	3700	5000
HWE-MPV160	500	1000	2700	4600	6400
HWE-MPV200	500	1200	3100	5100	7000

Unit : kgf

壓力變換軸
Clamping Force Setter

標準配件 Standard Accessory



吊環
Eye Bolts



T型扳手
Wrench



防塵蓋
Slide Cover



定位鍵
Positioning Block



壓板
Clamps



螺絲&螺帽
T-Nut & Screw



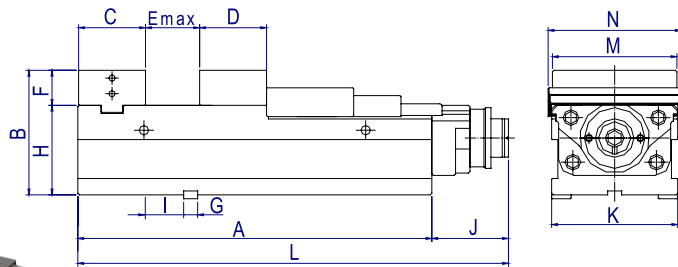
把手
Handle Set

WISE



MC 精密加長型倍力式虎鉗 MC Precision Power Vise Longer Type

HWE-MPV160M / 160L / 200L



HWE series

型號 Model NO.	A	B	C	D	E max	F	G	H	I	J	K	L	M	N	淨重(kg)
HWE-MPV160M	480	160	86	86	300	45	18	115	49	98.5	162	578.5	160	174	63
HWE-MPV160M-H	480	160	86	86	300	60	18	115	49	98.5	162	578.5	160	174	66
HWE-MPV160L	535	160	86	86	355	45	18	115	49	98.5	162	633.5	160	174	66
HWE-MPV160L-H	535	160	86	86	355	60	18	115	49	98.5	162	633.5	160	174	69
HEW-MPV200L	610	180	100	97	405	55	18	125	66	98.5	202	708.5	200	214	103
HEW-MPV200L-H	610	180	100	97	405	70	18	125	66	98.5	202	708.5	200	214	108

單位 Unit : mm



夾持壓力表 Clamping Force Table

型號 / 段數 Model NO. / Setting	0	1	2	3	4
HWE-MPV160M	500	1000	2700	4600	6400
HWE-MPV160L	500	1000	2700	4600	6400
HWE-MPV200L	500	1200	3100	5100	7000

Unit : kgf

壓力變換軸
Clamping Force Setter

標準配件 Standard Accessory



吊環
Eye Bolts



T型扳手
Wrench



防塵蓋
Slide Cover



定位鍵
Positioning Block



壓板
Clamps



螺絲&螺帽
T-Nut & Screw



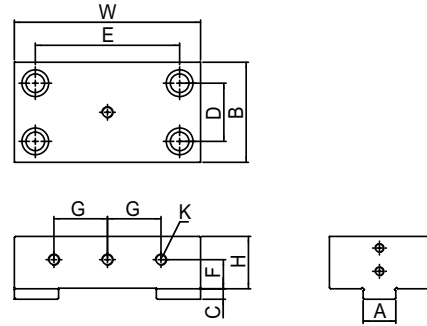
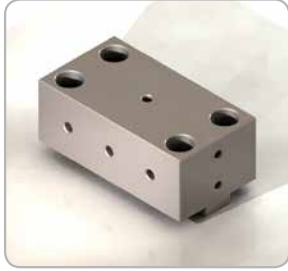
把手
Handle Set



選購配件 Optional Accessory

Optional Accessory

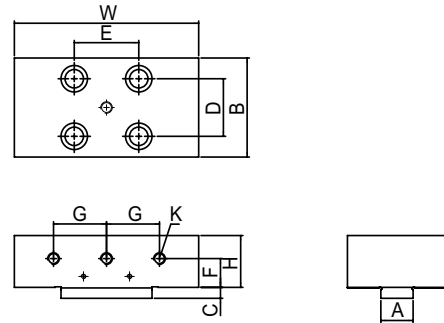
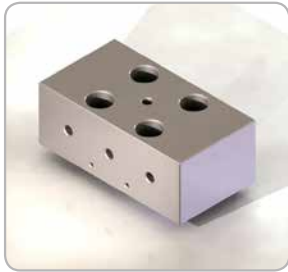
標準固定虎口板 Standard Fixed Jaw MPV125 / 160 / 200-FJ



型號 Model NO.	A	B	C	D	E	F	G	H	K	W	Order No.
MPV125-FJ	24	78	8	45	88	25	32	45	M8	125	1AE-00072
MPV160-FJ	28	86	9	50	124	25	46	45	M10	160	1AE-00005
MPV200-FJ	28	100	9	62	140	27.5	50	55	M10	200	1AE-00057

單位 Unit : mm

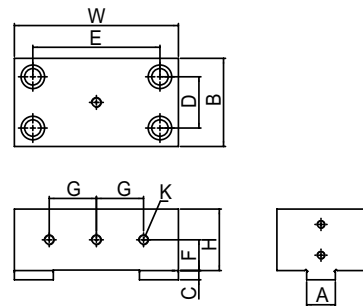
標準移動虎口板 Standard Movable Jaw MPV125 / 160 / 200-MJ



型號 Model NO.	A	B	C	D	E	F	G	H	K	W	Order No.
MPV125-MJ	24	78	8	42	35	25	32	45	M8	125	1AE-00073
MPV160-MJ	28	86	9	50	56	25	46	45	M10	160	1AE-00006
MPV200-MJ	28	100	9	59	62	27.5	50	55	M10	200	1AE-00058

單位 Unit : mm

加高固定虎口板 Heightened Fixed Jaw MPV160 / 200-FHJ



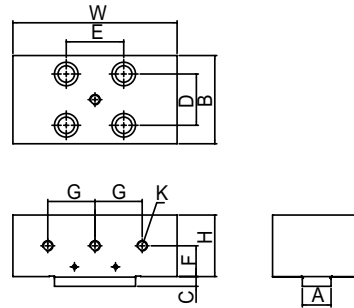
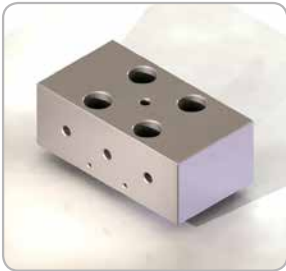
型號 Model NO.	A	B	C	D	E	F	G	H	K	W	Order No.
MPV160-FHJ	28	86	9	50	124	30	46	60	M10	160	1AE-00208
MPV200-FHJ	28	100	9	62	140	35	50	70	M10	200	1AE-00210

單位 Unit : mm



選購配件 Optional Accessory

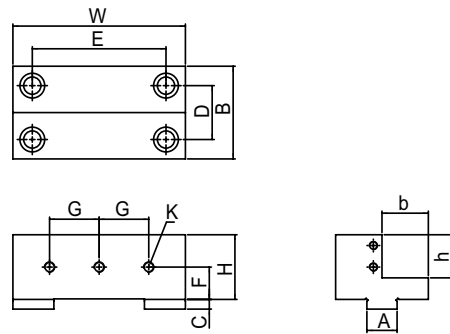
加高移動虎口板 Heightened Movable Jaw MPV160 / 200-MHJ



型號 Model NO.	A	B	C	D	E	F	G	H	K	W	Order No.
MPV160-MHJ	28	86	9	50	56	30	46	60	M10	160	1AE-00209
MPV200-MHJ	28	100	9	59	62	35	50	70	M10	200	1AE-00211

單位 Unit : mm

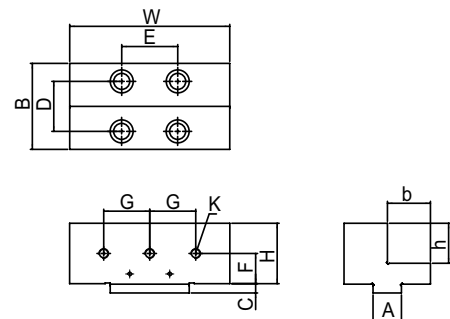
L 型固定虎口板 L-Type Fixed Jaw MPV125 / 160 / 200-FLJ



型號 Model NO.	A	B	C	D	E	F	G	H	K	W	b	h	Order No.
MPV125-FLJ	24	78	8	45	88	25	32	50	M8	125	39	32	1AE-00196
MPV160-FLJ	28	86	9	50	124	30	46	60	M10	160	43	40	1AE-00198
MPV200-FLJ	28	100	9	62	140	35	50	70	M10	200	50	45	1AE-00200

單位 Unit : mm

L 型移動虎口板 L-Type Movable Jaw MPV125 / 160 / 200-MLJ



型號 Model NO.	A	B	C	D	E	F	G	H	K	W	b	h	Order No.
MPV125-MLJ	24	78	8	42	35	25	32	50	M8	125	39	32	1AE-00197
MPV160-MLJ	28	86	9	50	56	30	46	60	M10	160	43	40	1AE-00199
MPV200-MLJ	28	100	9	59	62	35	50	70	M10	200	50	45	1AE-00201

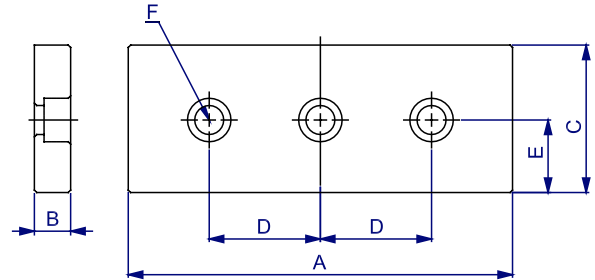
單位 Unit : mm



選購配件 Optional Accessory

Optional Accessory

■ 內夾虎口板 Inner Jaw MPV125 / 160 / 200-IGJ / IGHJ



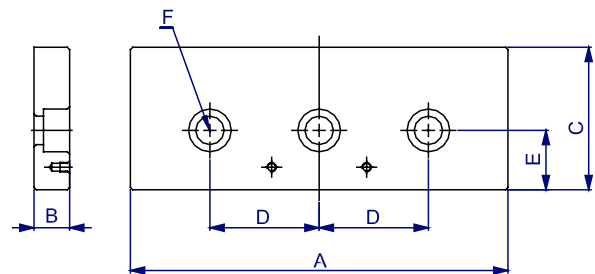
型號 Model NO.	A	B	C	D	E	F (沉頭孔) (Bolt Size)	Order No.
MPV125-IGJ	124	13	46	32	25	M8	1AE-00202
MPV160-IGJ	159	15	46	46	25	M10	1AE-00204
MPV200-IGJ	199	15	56	50	27.5	M10	1AE-00206
MPV160-IGHJ	159	15	61	46	30	M10	1AE-00220
MPV200-IGHJ	199	15	71	50	35	M10	1AE-00222

※ MPV160-IGHJ 與 MPV200-IGHJ 須搭配加高固定虎口板與加高移動虎口板使用。

※ MPV160-IGHJ & MPV200-IGHJ are only applied to Heightened Fixed Jaw & Heightened Movable Jaw

單位 Unit : mm

■ 外夾虎口板 Outer Jaw MPV125 / 160 / 200-OGJ / OGHJ



型號 Model NO.	A	B	C	D	E	F (沉頭孔) (Bolt Size)	Order No.
MPV125-OGJ	124	18	60	32	25	M8	1AE-00203
MPV160-OGJ	159	21	60	46	25	M10	1AE-00205
MPV200-OGJ	199	24	70	50	27.5	M10	1AE-00207
MPV160-OGHJ	159	21	75	46	30	M10	1AE-00221
MPV200-OGHJ	199	24	90	50	35	M10	1AE-00223

※ MPV160-OGHJ 與 MPV200-OGHJ 須搭配加高固定虎口板與加高移動虎口板使用。

※ MPV160-OGHJ & MPV200-OGHJ are only applied to Heightened Fixed Jaw & Heightened Movable Jaw

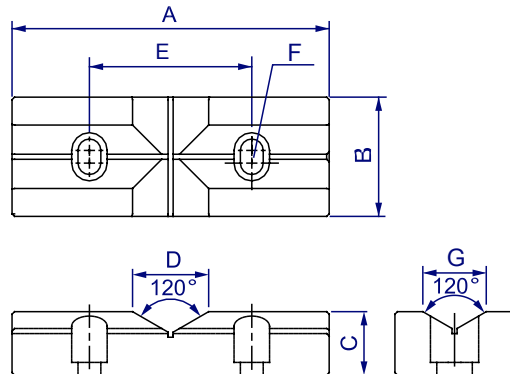
單位 Unit : mm



選購配件 Optional Accessory

Optional Accessory

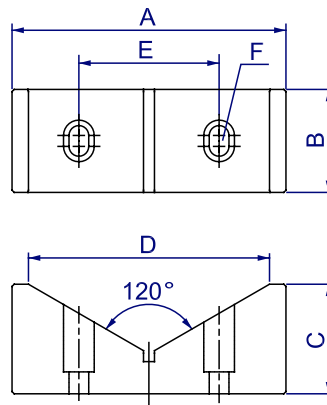
■ 小 V 虎口板 Prism Jaw MPV125 / 160 / 200-SVJ



型號 Model NO.	A	B	C	D	E	F (沉頭孔) (Bolt Size)	G	Order No.
MPV125-SVJ	125	47	23	28	64	M8	28	1AE-00212
MPV160-SVJ	160	62	30	30	92	M10	30	1AE-00214
MPV200-SVJ	200	72	30	30	100	M10	30	1AE-00216

單位 Unit : mm

■ 大 V 虎口板 V Jaw MPV125 / 160 / 200-LVJ



型號 Model NO.	A	B	C	D	E	F (沉頭孔) (Bolt Size)	Order No.
MPV125-LVJ	125	47	50	110	64	M8	1AE-00213
MPV160-LVJ	160	62	55	130	92	M10	1AE-00215
MPV200-LVJ	200	72	55	130	100	M10	1AE-00217

單位 Unit : mm

■ 棘輪扳手 Ratchet Wrench



Order No :
Order No :

Order No 2WR-00002

■ 把手 Handle Set



Order No 2AE-00007 (MPV125)
2AE-00006 (MPV160(L/M) / 200(L))



油壓虎鉗 Hydraulic Machine Vise

HWA Series

兩側滑軌經高週波處理，
硬度HRC56~60。

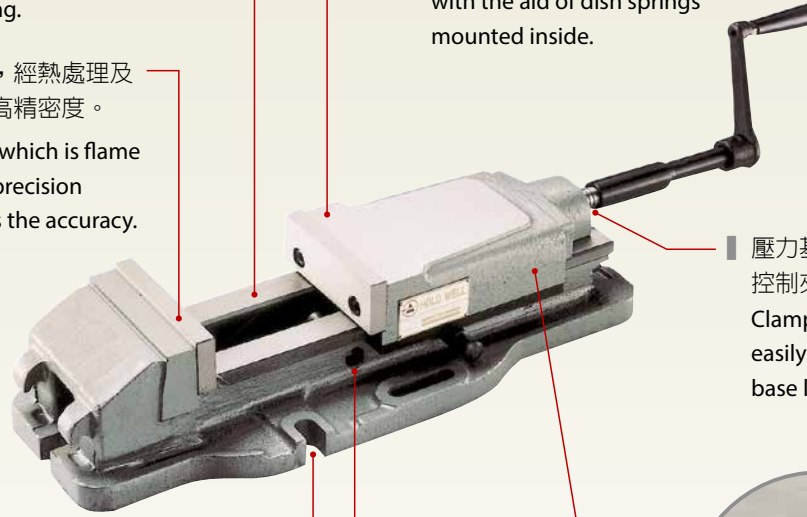
Both slideways flame
hardened to HRC56~60 can
resist wear and maintain
accuracy for long.

合金鋼虎口板，經熱處理及
精密研磨，提高精密度。

Alloy Steel Jaw which is flame
hardened and precision
ground ensures the accuracy.

Hydra. Booster system can
provide a steady clamping force
against shocks and vibration
during various operations since it
fastens the workpiece resiliently
with the aid of dish springs
mounted inside.

油壓式增壓系統，
利用盤型彈簧抵銷
加工中之震動，提
高加工穩定度。



壓力基準線設計，可輕易
控制夾持壓力。
Clamping force can be
easily adjusted with the
base line design as a guide.

三段快速定位機構設計，
提高工作效率。

Quick 3-step clamping
position design can
improve working
efficiency.



與迴轉台併用可
作360度迴轉。

It can do 360°
revolution with
the swivel base.



自動定位設計。
Auto-Positioning design.

精度檢驗 Accuracy Inspection

	檢驗項目 Inspection Items	標準 Tolerance
1	<p>滑軌與本座底部之平行度 Parallelism : slideways to Vise bed</p>	0.01/100mm
2	<p>滑軌與固定虎口板之直角度 Squareness : between slideways and fixed jaw</p>	0.03/100mm
3	<p>夾持後工件上浮量 Workpiece Lifting</p>	0.05mm

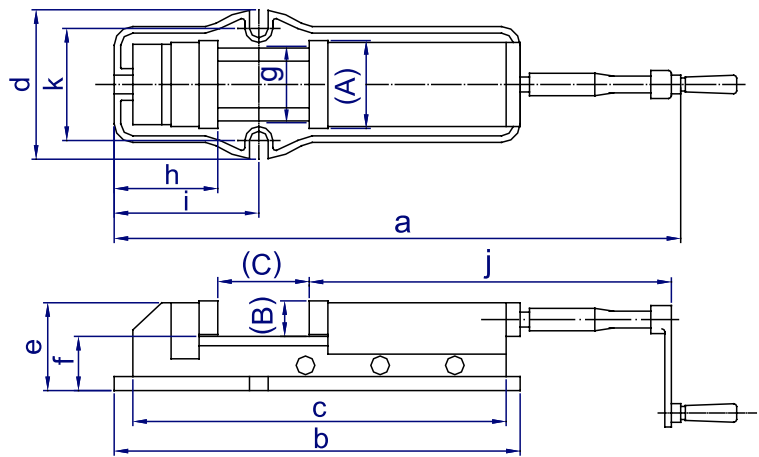
WISE

油壓虎鉗 Hydraulic Machine Vise



HWA Series

HWA-100 / 125 / 150 / 200



型號 Model NO.	(A)	(B)	(C)	a	b	c	d	e	f	g	h	i	j	k	最大 夾持力(kgf) Max. Clamp. Force (kgf)	淨重(kg)
HWA-100 (4")	104	36	0-170	525	435	395	160	94	58	78	101	155	263	120	2500	18
HWA-125 (5")	130	46	0-220	670	530	498	200	118	72	98	117	184	500	160	4000	32
HWA-150 (6")	153	53	0-300	800	610	570	240	135	82	116	128	210	380	200	5000	60
HWA-200 (8")	206	62	0-300	900	700	650	280	162	100	160	165	265	435	240	7000	90

單位 Unit : mm

標準配件 Standard Accessory



■ 套筒 Handle Joint



■ 把手 Handle



傾斜式油壓虎鉗 Tilttable Two-Way Hydraulic Machine Vise

HWB Series

與防止上浮虎口板及迷你型正弦塊規併用，加工角度之精度可達秒單位。

Used with Pull-Down-Jaw & Mini Sine Bar, the angular accuracy can reach SECOND unit.

"自動歸零" 裝置，有效節省操作時間及簡化操作過程。

Efficient index auto-zeroing saves operating time and simplifies the operating process.

由兩支鎖緊螺絲固定其傾斜座，加工時，穩定性高，不會抖動。

Tilting seat fixed by two locking screws provides high stability and no vibration during operations.

自動定位設計。

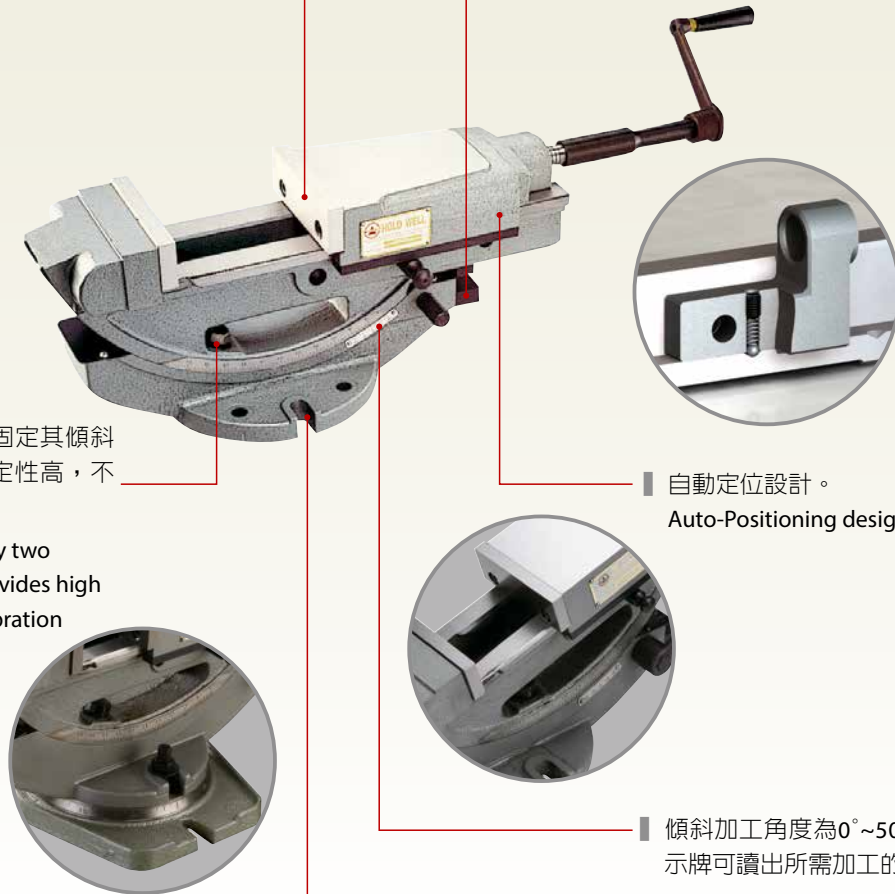
Auto-Positioning design.

與迴轉台併用可作360度迴轉。

It can do 360° revolution with the Swivel Base.

傾斜加工角度為0°~50°，由指示牌可讀出所需加工的角度。

Tilting angle ranges from 0°~50°. Tilting degrees can be easily read from the indicator label.



精度檢驗 Accuracy Inspection

檢驗項目 Inspection Items		標準 Tolerance
1	<p>滑軌與本座底部之平行度 Parallelism : slideways to Vise bed</p>	0.05/100mm
2	<p>滑軌與固定虎口板之直角度 Squareness : between slideways and fixed jaw</p>	0.03/100mm

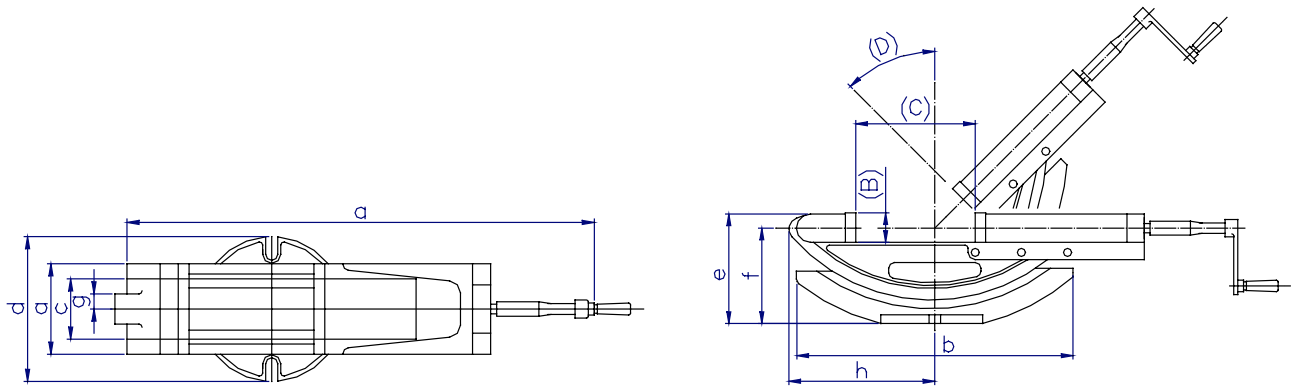
WISE



傾斜式油壓虎鉗 Tilttable Two-Way Hydraulic Machine Vise

HWB-100 / 150

HWB Series



型號 Model NO.	(A)	(B)	(C)	(D)	a	b	c	d	e	f	g	h	最大夾持力(kgf) Max. Clamp. Force (kgf)	淨重(kg)
HWB-100 (4")	104	36	0-170	50°	505	325	65	160	177	141	80	184	2500	23
HWB-150 (6")	153	53	0-300	50°	775	410	95	240	237	186	100	240	5000	63

單位 Unit : mm

標準配件 Standard Accessory



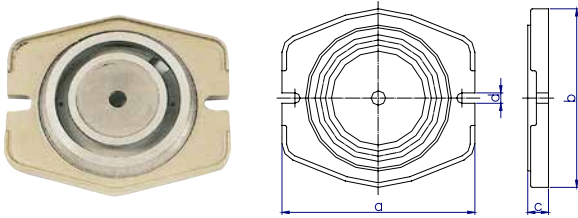
■ 套筒 Handle Joint



■ 把手 Handle



選購配件 Optional Accessory



迴轉台 Swivel Base

100 / 125 / 150 / 200-S

型號 Model NO.	a	b	c	d	淨重(kg)	Order No.
100-S	255	215	29	16	4	HW-100-S
125-S	287	267	33	18	7	HW-125-S
150-S	335	310	35	19	10	HW-150-S
200-S	373	355	41	19	16	HW-200-S

單位 Unit : mm



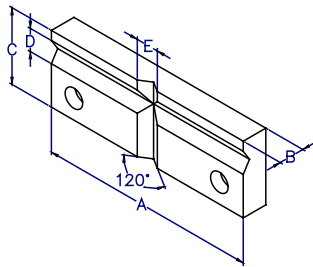
V 型虎口板 Prism Jaw

100 / 125 / 150 / 200-VJ

可夾持圓形工作物件 It can clamp round-shaped workpiece

型號 Model NO.	A	B	C	D	E	Order No.
100-VJ	104	12	36	11	11	2AA-00060
125-VJ	130	15	46	13	13	2AA-00061
150-VJ	153	18	53	15	15	2AA-00062
200-VJ	206	21	62	17	17	2AA-00063

單位 Unit : mm



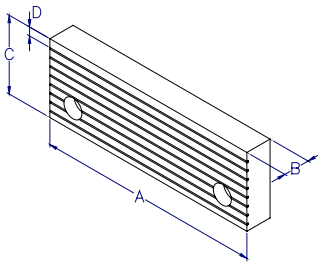
條紋虎口板 Stripe Jaw

100 / 125 / 150 / 200-SJ

可防止工件抖動 It can avoid vibration of workpiece

型號 Model NO.	A	B	C	D	Order No.
100-SJ	104	12	36	6	2AA-00064
125-SJ	130	15	46	6	2AA-00065
150-SJ	153	18	53	6	2AA-00066
200-SJ	206	21	62	6	2AA-00067

單位 Unit : mm



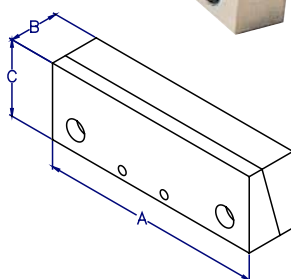
防止上浮虎口板 Pull-down Jaw

100 / 125 / 150 / 200-PJ

可防止工件上浮 It can avoid workpiece lifting

型號 Model NO.	A	B	C	Order No.
100-PJ	104	30	33	2AA-00025
125-PJ	130	32	33	2AA-00024
150-PJ	153	34	33	2AA-00026
200-PJ	206	36	33	2AA-00027

單位 Unit : mm

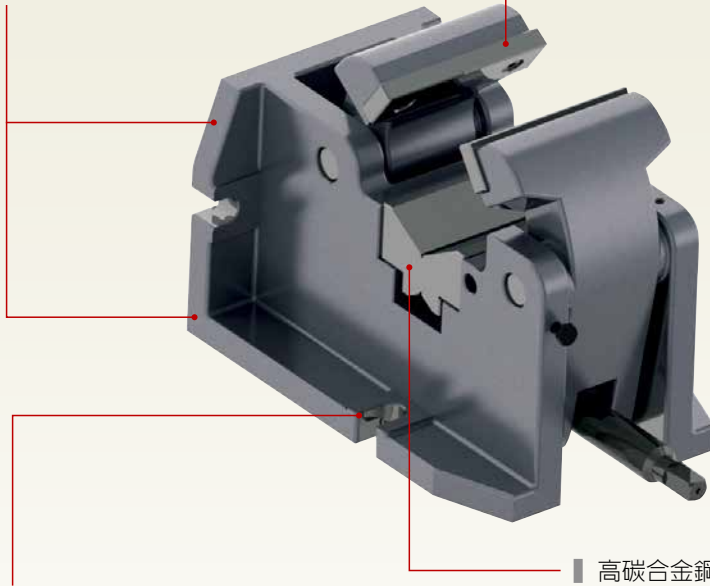




軸心式虎鉗 Shaft Vise

- 本台可用於水平和垂直方向加工。
Mechanical Vise for clamping of shaft.
- 適用於挾持大型加工圓件。
Suitable for horizontal and vertical applications.

- 合金鋼虎口板，經熱處理及精密研磨，提高精度。
Alloy Steel Jaw which is flame hardened and precision ground ensures the accuracy.



- 本台底部溝槽的平行度和垂直非常精確，可快速定位和固定機床上。
The parallelism and squareness of slots beneath vise base are very precise. Vise can be quickly positioned and fixed on the machining tables.

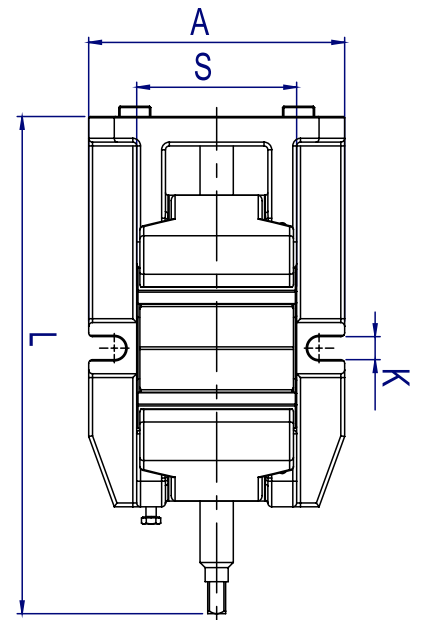
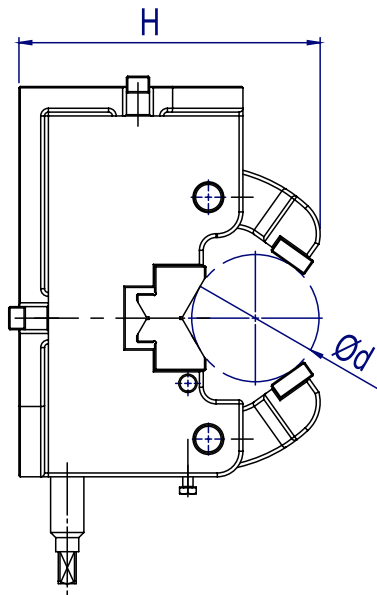
- 高碳合金鋼材質，經熱處理和精密研磨後，硬度可達HRC52~56。
Hypercapnia Alloy Steel Jaw which is flame hardened to HRC52~56 and precision ground to ensure the accuracy.
- 雙V型虎口板設計，可挾 $\varnothing 15\sim 100\text{mm}$ 的圓形工件。
Two-way jaw design is able to clamp circular workpiece within $\varnothing 15\sim 100\text{mm}$.

精度檢驗 Accuracy Inspection

檢驗項目 Inspection Items		標準 Tolerance
1	<p>V型枕和本台底部平行度 Parallelism : V block to Vise bed</p>	$\pm 0.02/100\text{mm}$
2	<p>底面A和平面B互相垂直 Squareness : between A and B</p>	$\pm 0.02/100\text{mm}$



HWY-SV125



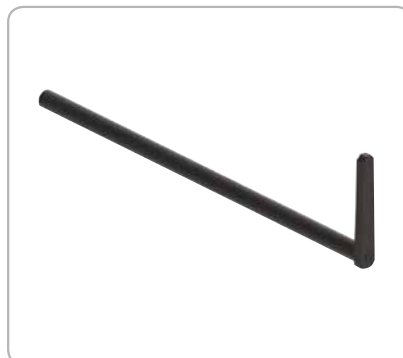
型號 Model NO.	S	A	H	L	d	K	Max. Clamp. Force (kg)	淨重 (kg)
HWY-SV125	125	200	235	405	15~100	18	1500	40

單位 Unit : mm

標準配件 Standard Accessory



把手 Handle



工件定位器 Stop Dog



智慧型虎鉗 Auto Vise

- 可準確設定壓力大小，避免不當施壓造成工件損壞；最小設定單位為100kgf。
Accurate clamping-force setting can prevent any damage to workpiece from the improper pressure; the minimum setting unit is 100kgf.
- 開口尺寸設定，最小單位可至5mm，可使用於複雜工件之快速更換定位夾持。
The opening length can be set precisely and the minimum setting unit is 5mm. It can be applied for various quick workpiece clamping requirements.
- 本體前端及側邊挖孔，排屑效果佳。
Side-hole and front-hole design make chip removal easier.
- 快速虎口板移動設計，移動速度達10mm/s。
Fast-moving Jaw design. It moves at 10 mm/s.
- 快速增壓設計，壓力由0增壓至4000kgf僅需5.5秒。
Quick Pressure Booster system can produce the pressure from 0 to 4000 kgf within 5.5 seconds.
- 緊急開關、蜂鳴器、保險絲，漏液偵測器，IP65防水設計，多道安全保障措施。
Multiple protection procedure: emergency switch / beeper / fuse / liquid-leaking detector / IP65 water-proof design.
- 手動驅動裝置設計，停電或緊急時使用。
Manually-driven device design in case of power failure or emergency.
- 連線功能，可連接外部控制器，進行遠端操作；亦可並聯多台電動虎鉗同時或依次序夾持。
Connection Function. It can remotely operated in connection with external controller. It can also parallel-connect several Auto Vises to clamp simultaneously or in turn.
- 模組化控制器，維修保養簡易。
Modular controller. Easy maintenance.



智慧型虎鉗 Auto Vise

智慧型虎鉗特性 Auto Vise

- 電力驅動增壓虎鉗，不需空油壓設備，插電即可使用，無空氣污染之顧慮；無人工廠、無塵室、高污染環境、類真空狀態皆可使用。
- 可進行數台虎鉗同動並聯，而不需外部控制器；亦可透過外部控制器，進行數台虎鉗同步連線。
- 可透過虎鉗的個別控制器進行設定，也可使用外部控制器設定各自虎鉗的參數。
- 階層式選單操作介面，操作簡單，設定快速，使用者容易上手。
- 使用低電壓直流電源 (DC24V)，大大增加使用者的安全性。
- 可搭配機械手臂進行加工操作。
- 操作溫度在攝氏零下 20°C ~70°C。
- Electricity-driven vise can be used with only electricity and without any air & hydraulic equipment. No air pollution. It could be used in various environments: peopleless plant, cleanroom, seriously-polluted environment, vacuumlike condition.
- Can parallel-connect several vises either without or with external controller for simultaneous movement.
- Can be set through respective controller; the parameter of respective vise can be also set through external controller.
- Hierarchical Menu Interface. Easy operation and quick setting make the operators get familiar easily.
- The power device adopting DC24V greatly ensures the safety.
- It can be applied on processing with the robot arm.
- The operation temperature ranges from -20 °C to 70 °C.

智慧型虎鉗 CNC 連線版特性 Auto Vise CNC Type

- 可與 **CNC** 控制器進行單向或雙向溝通，並同步作動。
 - ▶ 單向溝通功能：使用 CNC 控制器標準 M、G 碼，控制並設定虎鉗所需之夾持壓力、開口距離，以及虎口位移之距離。
 - ▶ 雙向溝通功能：包含單向溝通功能之特性，以及虎鉗在動作完成後及錯誤異常發生時會回饋訊號，通知 **CNC** 控制器。
- **Can connect to CNC Controller through one-way or mutual communication.**
 - ▶ **One-way communication** : By using CNC Controller M, G code, control and set up required clamping force, release stroke, and moving distance of the jaws.
 - ▶ **Mutual communication** : It has the same function as one-way communication. It would also send the feedback and signals to CNC Controller when all the movements are completed and any errors occur.

※精度檢驗：請參照MC精密型倍力式虎鉗。

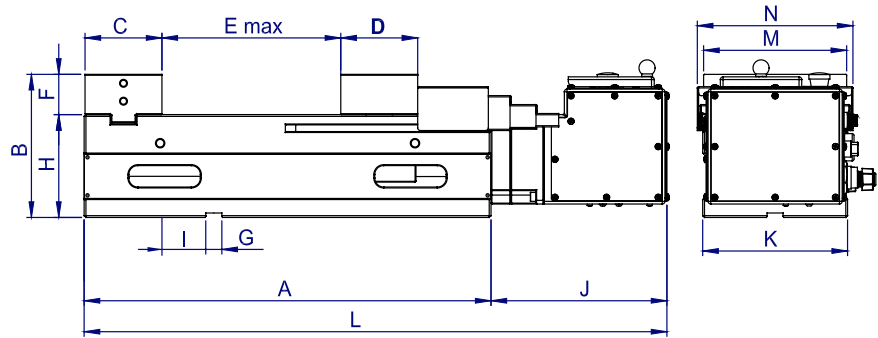
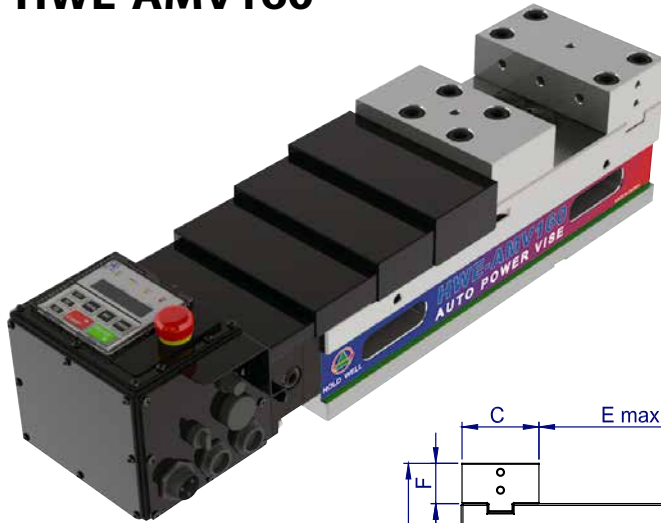
※Accuracy : please refer to MC Precision Power Vise



HWE-AMV160



HWE-AMV series



型號 Model NO.	A	B	C	D	E max	F	G	H	I	J	K	L	M	N	淨重(kg)
HWE-AMV160	455	160	86	86	275	45	18	115	49	197	162	652	160	174	70
HWE-AMV160-C*	455	160	86	86	275	45	18	115	49	197	162	652	160	174	70
HWE-AMV160L	535	160	86	86	355	45	18	115	49	197	162	732	160	174	77
HWE-AMV160L-C*	535	160	86	86	355	45	18	115	49	197	162	732	160	174	77

- C* : CNC連線版 - 可與CNC控制器傳輸，同步作動。 電壓：AC110~115V 或 AC220~230V 赫茲：50 Hz 或 60 Hz

- C* : CNC Type - Can connect to CNC Controller. Voltage : AC110~115V or AC220~230V Hertz : 50 Hz or 60 Hz

單位 Unit : mm

標準配件 Standard Accessory



吊環
Eye Bolts



L型扳手
L-shaped wrench



防塵蓋
Slide Cover



定位鍵
Positioning Block



壓板
Clamps



螺絲&螺帽
T-Nut & Screw

※選購配件 Optional Accessory

1. 虎口板：
請參照 MC 精密型倍力式虎鉗之選購配件。

Jaw:
Please refer to the optional accessory of MC Precision Power Vise

2. 電子配件：
變壓器：IP54 / IP67 訊號傳輸線
Electronic accessory：
Power Adaptor Input：IP54 / IP67
Power Cable



置爪 Jaw Box

HWY series



■ 夾持虎口材質為鉻鉬合金鋼，韌性及剛性強。

Jaw Material is made of Cr-Mo Alloy steel. High tenacity & rigidity.

■ 大螺距主螺桿，傳動速度快、剛性強。

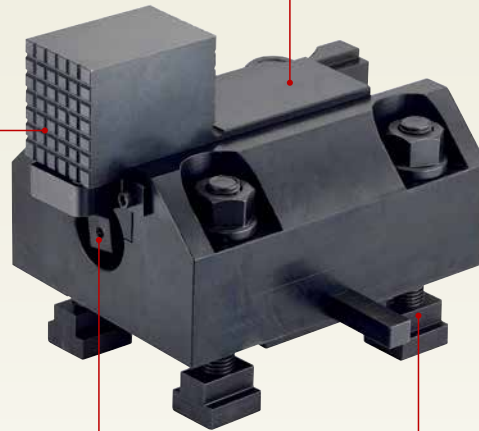
An enlarged thread master screw rod could make Jaw move forward and backward fast. High rigidity.

■ 適用於車床與五面加工機之大型旋轉盤。

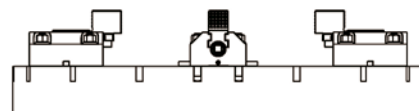
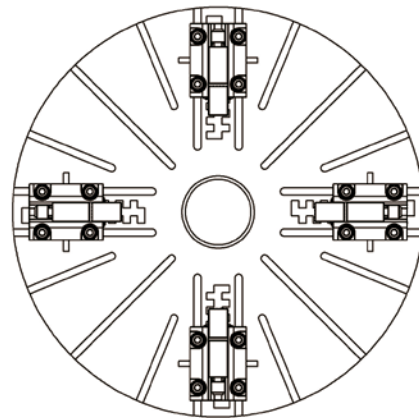
Compatible on big-sized rotary table of Vertical Turing Center and 5-Face Machine Center.

■ 快速定位機構方便調整夾持距離。

Quick clamping position design can improve working efficiency.



應用範例 Application

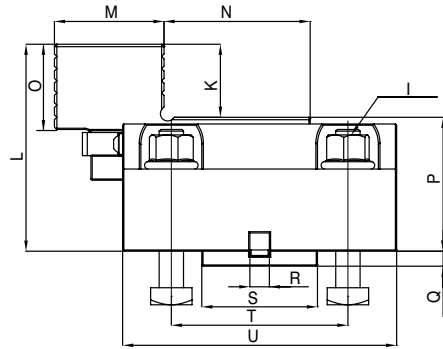
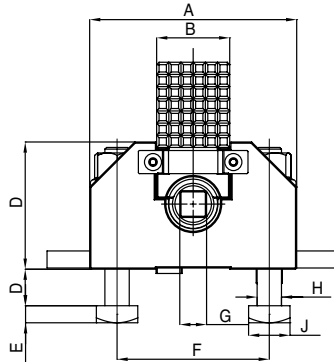




置爪 Jaw Box

HWY series

HWY-BH4-125 / BH7-180

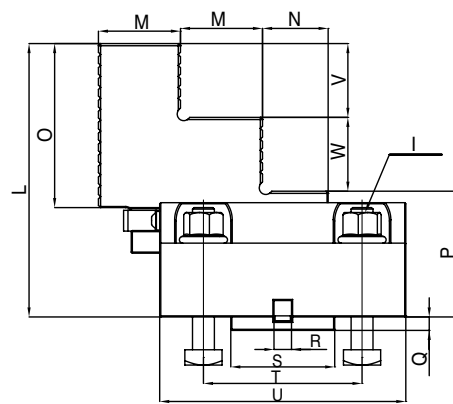
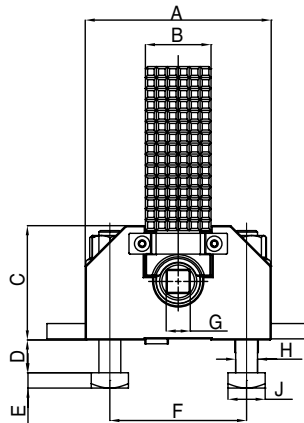


型號 Model NO.	A	B	C	D	E	F	G	H	I	J	K	淨重(kg)
HWY-BH4-125	170	60	104.5	30	14	125	22	Ø20	M20	34	60	32
	L	M	N	O	P	Q	R	S	T	U		
	170	90	120	70	110	12.3	16	95	145	225		

型號 Model NO.	A	B	C	D	E	F	G	H	I	J	K	淨重(kg)
HWY-BH7-180	240	80	125	40	20	180	26	Ø31.5	M24	50	60	55
	L	M	N	O	P	Q	R	S	T	U		
	195	95	125	77	135	14	25	95	170	270		

單位 Unit : mm

HWY-BH4-125H / BH7-180H



型號 Model NO.	A	B	C	D	E	F	G	H	I	J	L	淨重(kg)
HWY-BH4-125H	170	60	104.5	30	14	125	22	Ø20	M20	34	250	37
	M	N	O	P	Q	R	S	T	U	V	W	
	75	60	150	115	12.3	16	95	145	225	67.5	67.5	

型號 Model NO.	A	B	C	D	E	F	G	H	I	J	L	淨重(kg)
HWY-BH7-180H	240	80	125	40	20	180	26	Ø32	M24	50	250	55
	M	N	O	P	Q	R	S	T	U	V	W	
	75	70	132	135	14	25	95	170	270	60	55	

單位 Unit : mm



豪力輝工業股份有限公司
HOLD WELL INDUSTRIAL CO., LTD.
台中市大雅區雅環路2段120巷10弄31號
31, Aly. 10, Ln. 120, Sec. 2, Yahuan Rd., DaYa Dist.,
Taichung City 42869, Taiwan (R.O.C.)
www.holdwell.com
sales@mail.holdwell.com

